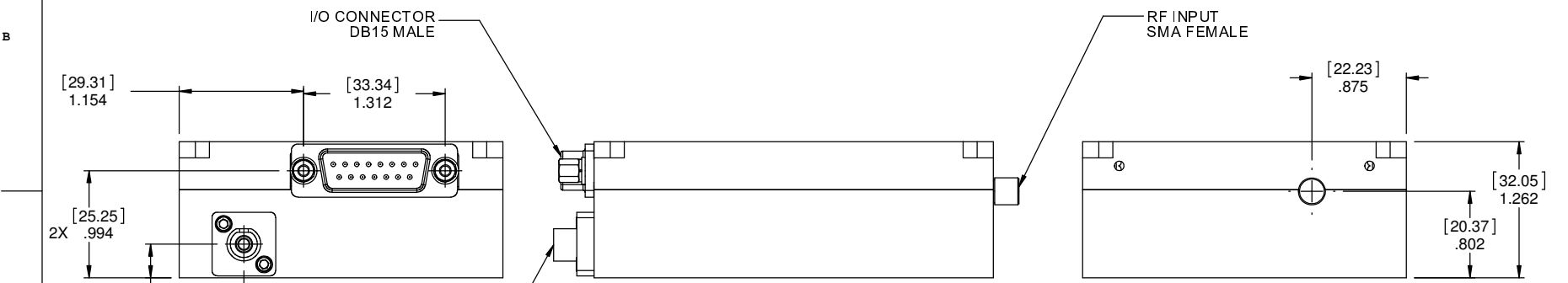
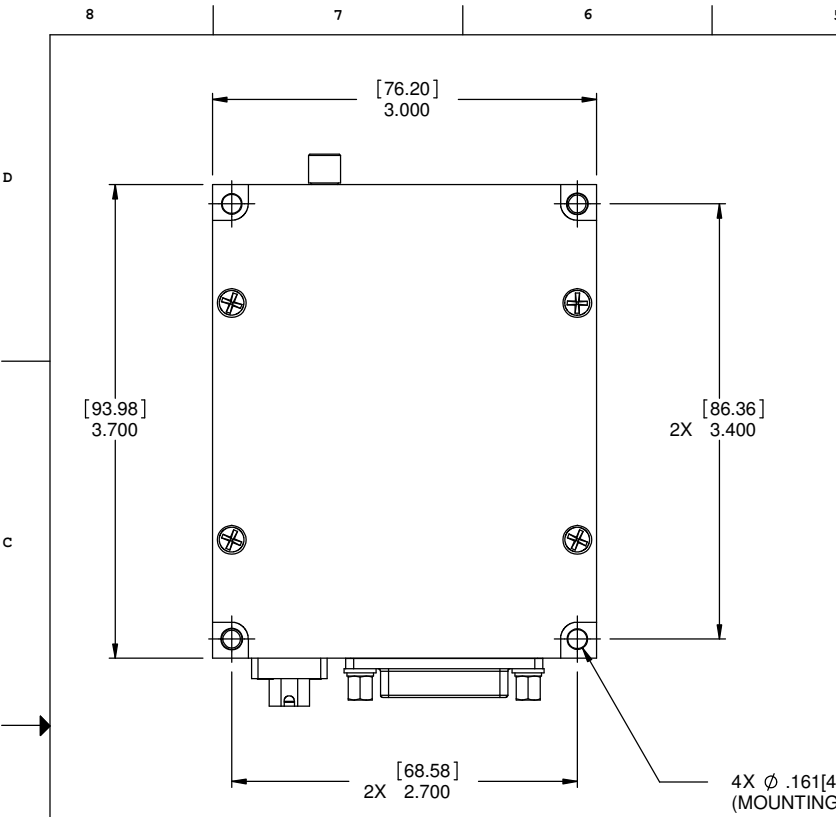
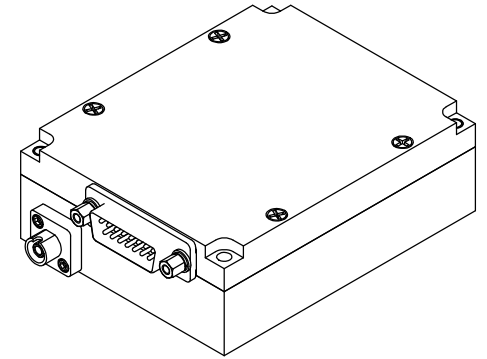


I/O CONNECTOR PINOUT	
PIN	FUNCTION
1	GROUND
2	OPEN COLLECTOR ALARM
3	RS-232 RX DATA (IN)
4	RS-232 TX DATA (OUT)
5	NO CONNECTION
6	NO CONNECTION
7	NO CONNECTION
8	+15 VDC, 100mA
9	ANALOG MONITOR RTN
10	ANALOG OPTICAL MON (1 V = 1 mW)
11	RS-232 SIGNAL GROUND
12	NO CONNECTION
13	NO CONNECTION
14	NO CONNECTION
15	NO CONNECTION



INTERPRET DRAWING IN ACCORDANCE WITH ASME Y14.100M				CONTRACT-NO.			MICROWAVE PHOTONIC SYSTEMS, INC. WEST CHESTER, PA 19382 PH 610.344.7676 FAX 610.344.7110		
UNLESS OTHERWISE SPECIFIED: DIMENSIONS ARE IN INCHES BREAK ALL EDGES REMOVE ALL BURRS TOLERANCES ARE: +/-0.010"				DRAWN BY T.K. 1/13/2011			PL-1-23XXTX Fiber Optic Transmitter Specification Sheet		
ANGLES +/- 1 deg FILLETS " MAX. SURFACE ROUGHNESS				CHECKED ENGINEER DRAWING APPROVAL DESIGN APPROVAL PROJECT NUMBER: 2320_MODULES					
REVISIONS				APPLICATION			SIZE CAGE CODE DRAWING NUMBER A 1A9M1 0011110		
ZONE REV. DESCRIPTION DATE APPROVED ASSY USED ON				RELEASED DATE:			SCALE 1:1.5 REVISION: 0-03 SHEET 1 OF 1		