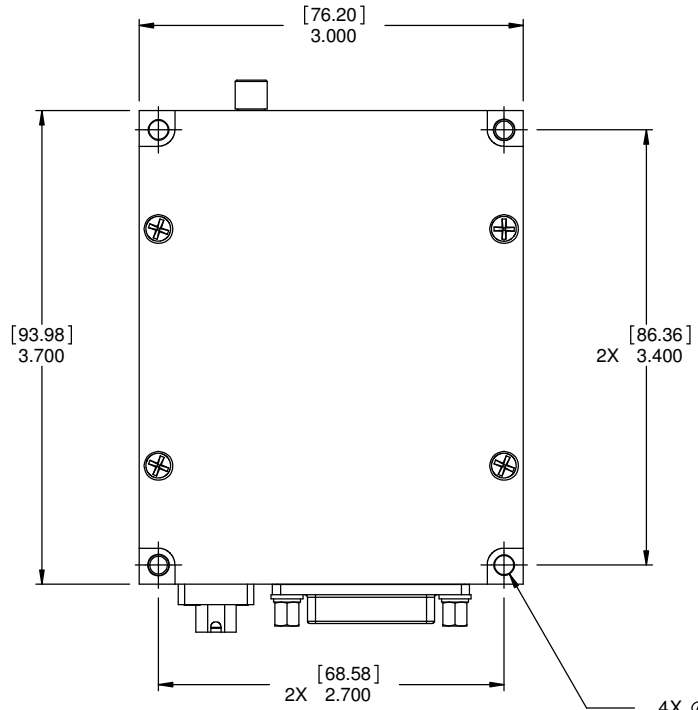
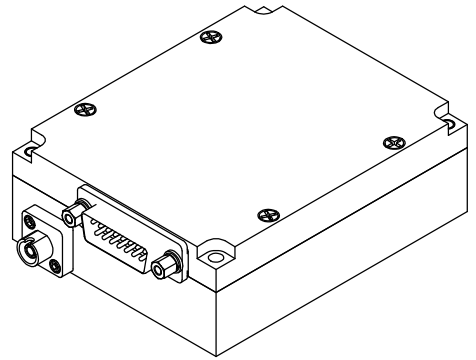
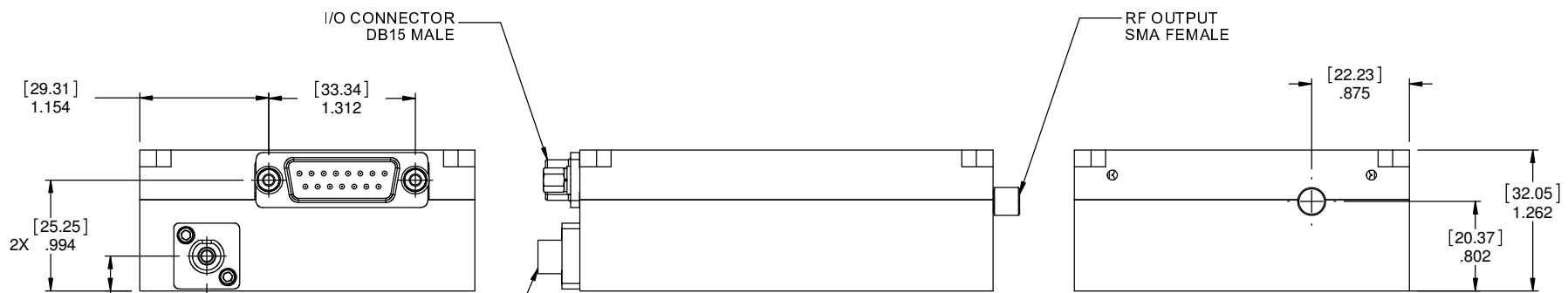


I/O CONNECTOR PINOUT	
PIN	FUNCTION
1	PWR GROUND
2	OPEN COLLECTOR ALARM
3	RS-232 RX DATA (IN)
4	RS-232 TX DATA (OUT)
5	NO CONNECTION
6	NO CONNECTION
7	NO CONNECTION
8	+15 VDC, 100mA
9	ANALOG MONITOR RTN
10	ANALOG OPTICAL MON (1 V = 1 mW)
11	RS-232 SIGNAL GROUND
12	NO CONNECTION
13	NO CONNECTION
14	NO CONNECTION
15	NO CONNECTION



4X Ø .161[4.09] THRU ALL (MOUNTING HOLES)



ZONE	REV.	DESCRIPTION	DATE	APPROVED	ASSY	USED ON
REVISIONS						
APPLICATION						

INTERPRET DRAWING IN ACCORDANCE WITH ASME Y14.100M			CONTRACT-NO.		
UNLESS OTHERWISE SPECIFIED: DIMENSIONS ARE IN INCHES. BREAK ALL EDGES. REMOVE ALL BURRS. TOLERANCES ARE: +/-0.010"			DRAWN BY	T.K.	1/13/2011
ANGLES +/- 1 deg			CHECKED		
FILLETS " MAX.			ENGINEER		
SURFACE ROUGHNESS			DRAWING APPROVAL		
RELEASED DATE:			DESIGN APPROVAL		
			PROJECT NUMBER: 2320_MODULES		

MICROWAVE PHOTONIC SYSTEMS, INC. WEST CHESTER, PA 19382 PH 610.344.7676 FAX 610.344.7110		
PL-1-23XXRX Fiber Optic Receiver Specification Sheet		
SIZE	CAGE CODE	DRAWING NUMBER
A	1A9M1	0011109
SCALE	1:1.5	REVISION: 0-03
		SHEET 1 OF 1